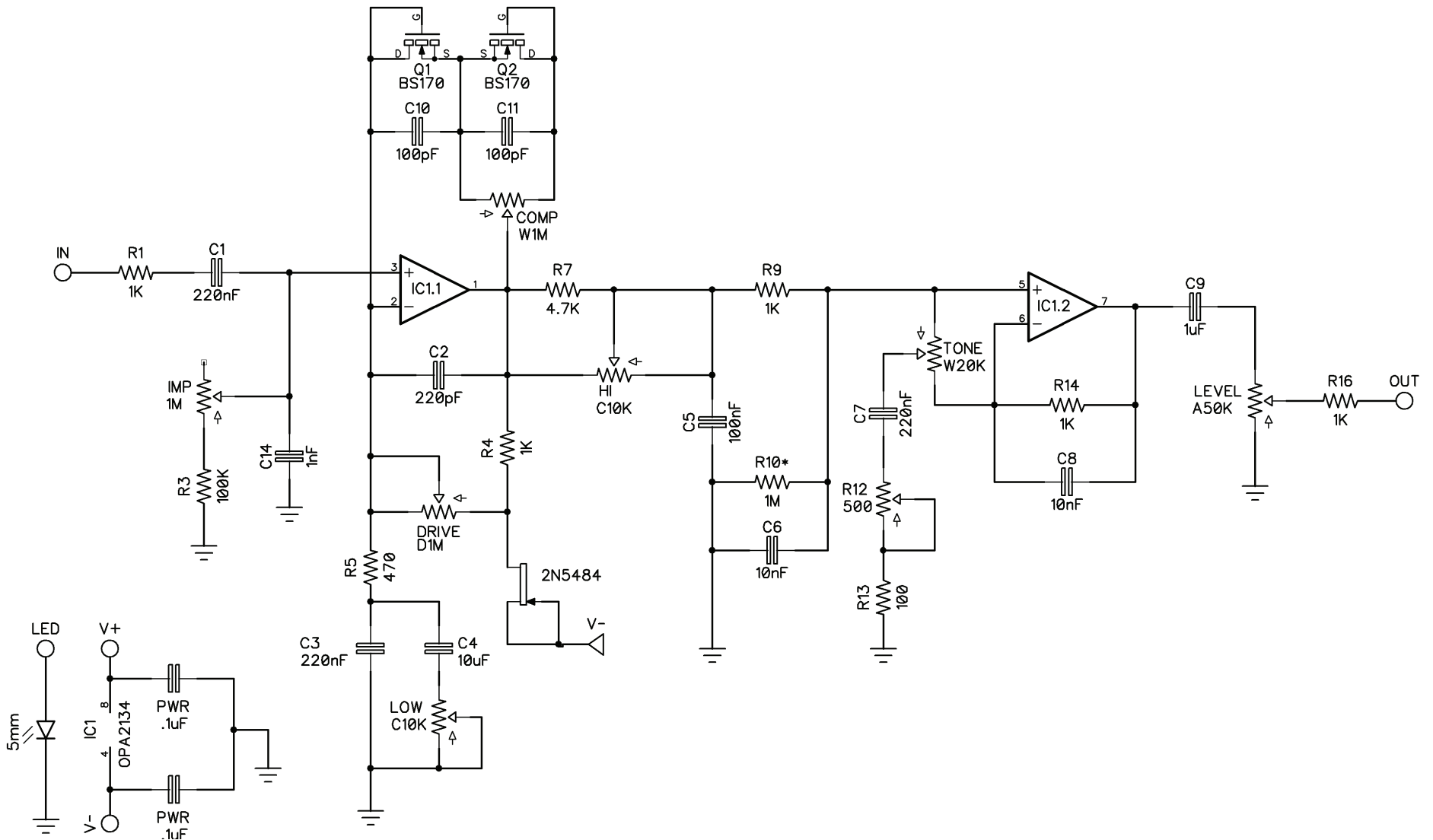




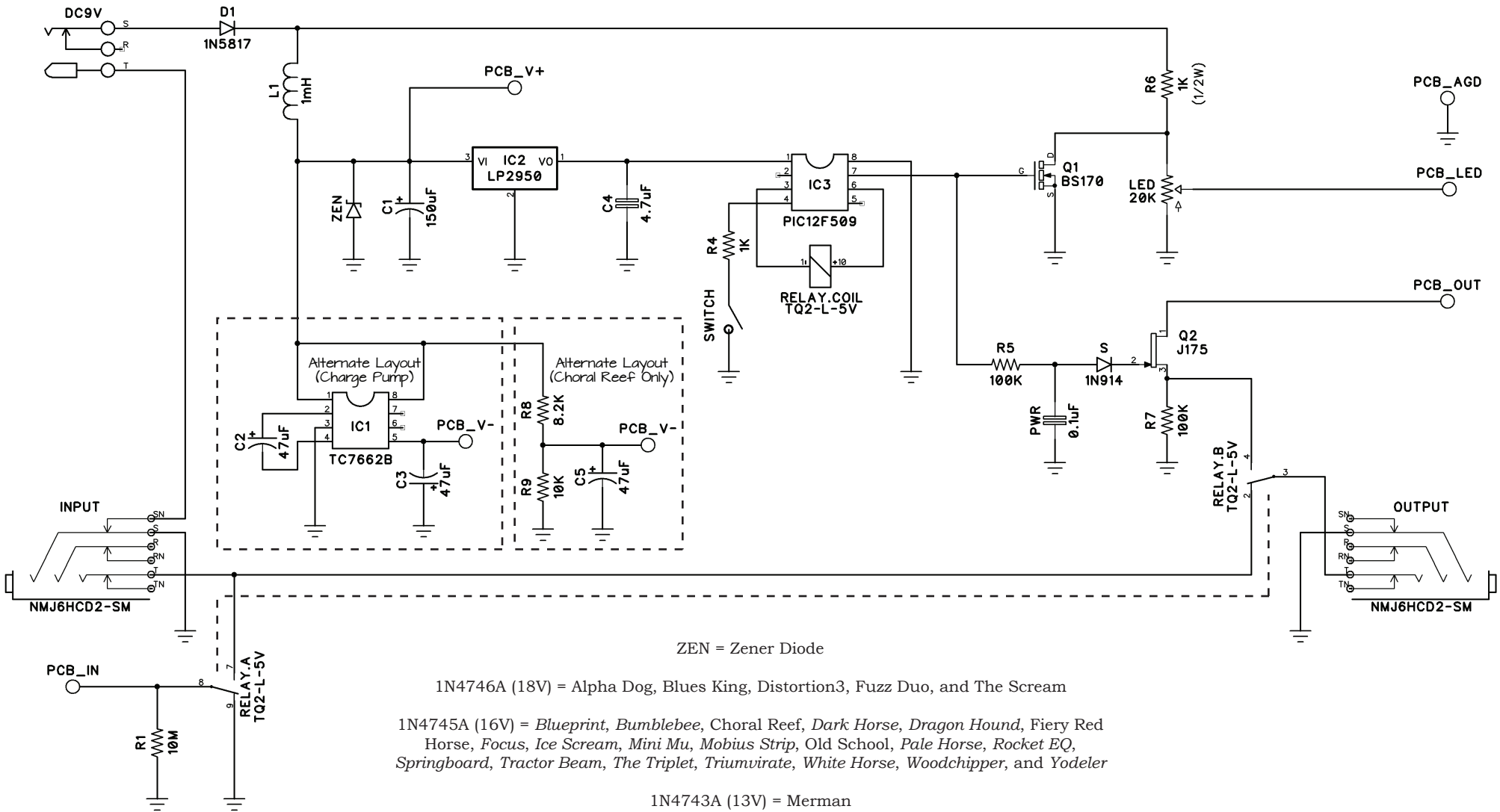
Pale Horse
<http://www.vfepedals.com/>





TrueSoft Bypass Switching System v2

<http://www.vfepedals.com/>



ZEN = Zener Diode

1N4746A (18V) = Alpha Dog, Blues King, Distortion3, Fuzz Duo, and The Scream

1N4745A (16V) = *Blueprint, Bumblebee, Choral Reef, Dark Horse, Dragon Hound, Fiery Red Horse, Focus, Ice Scream, Mini Mu, Mobius Strip, Old School, Pale Horse, Rocket EQ, Springboard, Tractor Beam, The Triplet, Triumvirate, White Horse, Woodchipper, and Yodeler*

1N4743A (13V) = Merman

Italics indicate charge pump alternate layout is used